

# DATASHEET

Name:  
Type:  
Designed by:

**ORBIS**  
Pendant Light  
Lucie Koldova



## DESCRIPTION

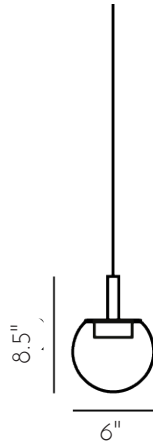
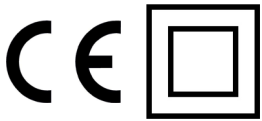
The Orbis collection is based on a universal shape rendered in handblown smoke glass that has been abruptly severed across the top to accommodate an elegant multiangular metal fixture. Rich in ambience yet enticingly minimalist, these atmospheric lights embody a sense of technicism. A diffuser conceals an LED panel within the fixture and softens the light as it radiates outwards from its source, while the multiangle serves to house a special BROKIS connector engineered for easy installation and arrangement of grand lighting compositions.

## TECH. DESCRIPTION

The luminaire consists of a glass shade, metal frame with Brokis connector and LED module, metal caps and power cable with Brokis connector. The luminaire is mounted on a ceiling canopy, in which the electronics are stored.



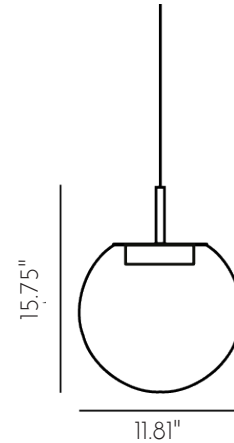
## CERTIFICATES



Product ID: PC1289

### Orbis small

2.5 kg  
Glass, metal  
2,200 mm  
Ceiling  
Indoor



Product ID: PC1290

### Orbis medium

4 kg  
Glass, metal  
2,200 mm  
Ceiling  
Indoor

## CONSTRUCTION SPECIFICATIONS

Weight:  
Construction material:  
Cord Length:  
Mounting:  
Environment:

## ELECTRICAL SPECIFICATIONS

Input voltage [V]: 100 - 240 V  
Frequency [Hz]: 50-60 Hz  
Max. power [W]: 3.4 W  
Coverage IP: 20  
Socket: LED module  
Light source: -  
Energy class: E

100 - 240 V  
50-60 Hz  
5.5 W  
20  
LED module  
-  
E

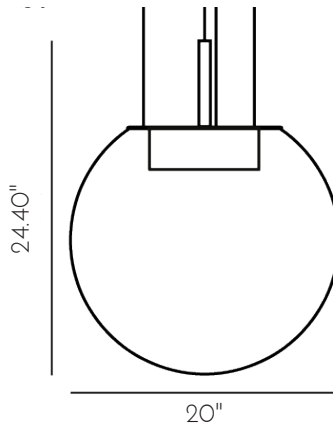


# DATASHEET

Name: **ORBIS**  
Type: Pendant Light  
Designed by: Lucie Koldova



## CERTIFICATES



Product ID: PC1291

## CONSTRUCTION SPECIFICATIONS

Weight:  
Construction material:  
Cord Length:  
Mounting:  
Environment:

### Orbis Large

12 kg  
Glass, metal  
2,200 mm  
Ceiling  
Indoor

## ELECTRICAL SPECIFICATIONS

Input voltage [V]:  
Frequency [Hz]:  
Max. power [W]:  
Coverage IP:  
Socket:  
Light source:  
Energy class:

100 - 240 V  
50-60 Hz  
18 W  
20  
LED module  
-  
E

# DATASHEET

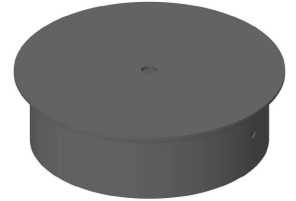
Name:  
Type:  
Designed by:

ORBIS  
Pendant Light  
Lucie Koldova

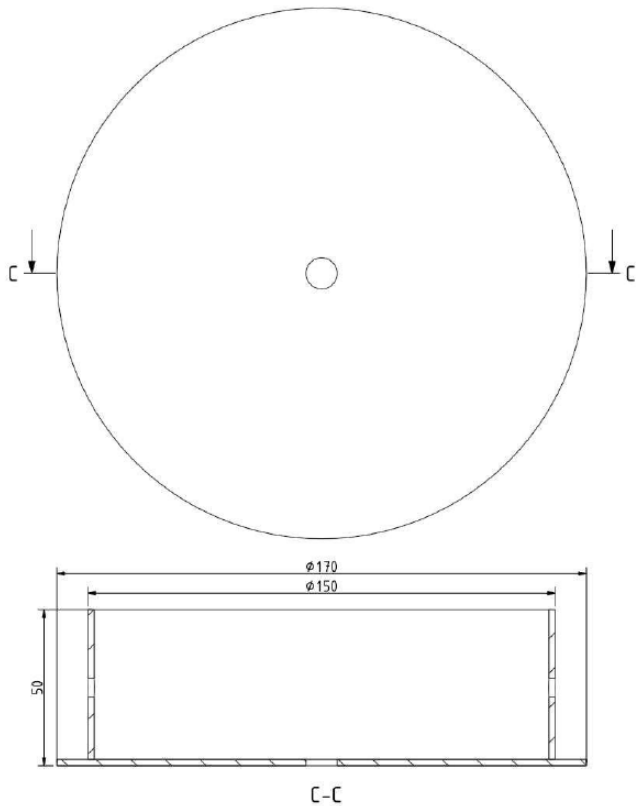


## CEILING CANOPY

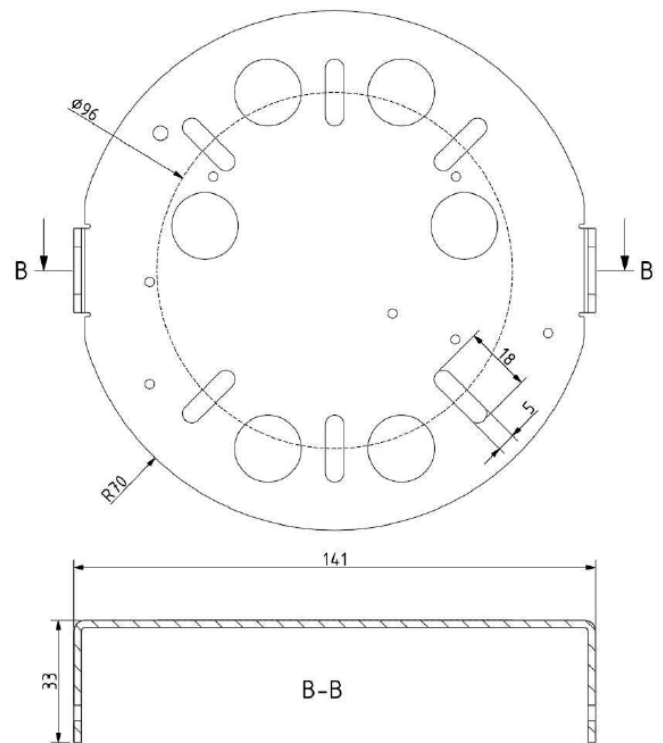
Dimensions  $\varnothing$  x w [in/mm] 6.70" x 2" / 170 x 50 mm  
Weight [kg] 1.2 kg  
Material metal  
Application Orbis model (PC1289/PC1290)



### Drawing



### Hole Placement



# DATASHEET

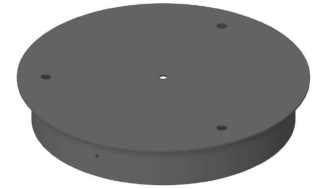
Name:  
Type:  
Designed by:

ORBIS  
Pendant Light  
Lucie Koldova

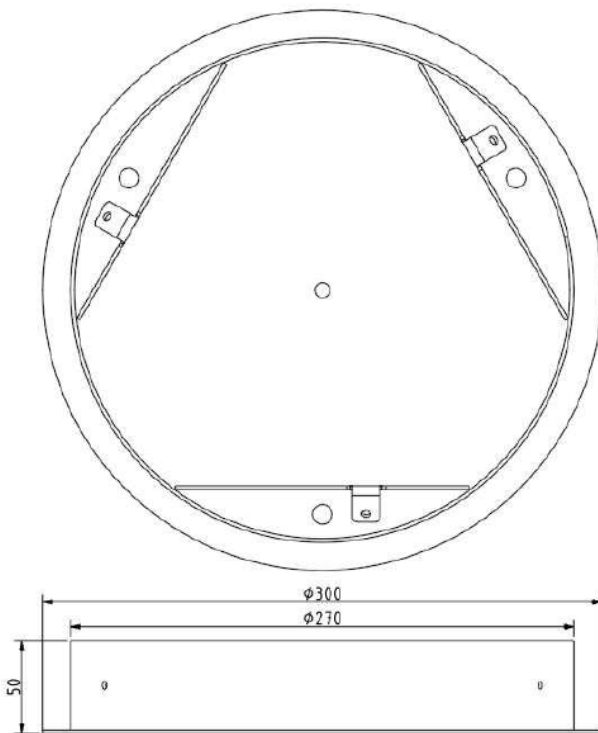


## CEILING CANOPY

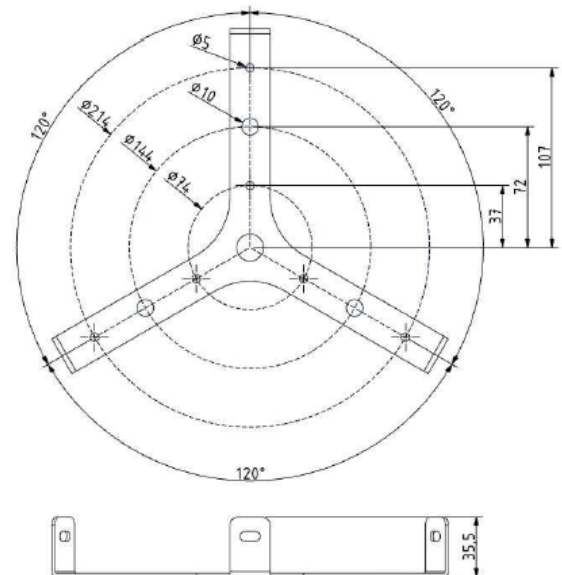
Dimensions  $\varnothing$  x w [in/mm] 11.81" x 2" / 300 x 50 mm  
Weight [kg] 2.2 kg  
Material metal  
Application Orbis model (PC1291)



## Drawing



## Hole Placement



# DATASHEET

Name:  
Type:  
Designed by:

**ORBIS**  
Pendant Light  
Lucie Koldova



## PRODUCT DETAILS

### Glass Colour

Smoke grey - transparent glass	A	CGC516
Smoke brown - transparent glass	A	CGC538

### Glass Surface

Glossy surface	A	CGSU66
----------------	---	--------

### Body Finishes

Metal - black matte powder coating	A	CCS846
------------------------------------	---	--------

### Connection method

BROKIS connector 24v	A	CCM1019
----------------------	---	---------

### Cable colour

Textile cable - black	A	CECL519
-----------------------	---	---------

### LED Source

24V, LED, 2.3W, 2700K, 365lm, RA90+, DIM	A	LEDS2866
24V, LED, 4.3W, 2700K, 609lm, RA90+, DIM	A	LEDS2867
24V, LED, 15.7W, 2700K, 2193lm, RA90+, DIM	A	LEDS2868

### Dimmable version

Non-dimmable version	A	CEDV1457
RF system - remote control version	A	CEDV1461
PWM signal	A	CEDV1459
1-10V	A	CEDV1460
DALI version	A	CEDV1458
AC phase cut	A	CEDV1730
CASAMBI CBU-PWM4 - SURCHARGE	A	CEDV2854